



Pool price calculation- order form

1) Inner track width means the narrowest point of the roof. (Figure 4)	internal width of tracks	514 cm
2) Outer track width is the maximum size of the roof. (Figure 4)	external width of tracks	585 cm
3) The internal length is the length of the roof in the stretched state. (Figure 4)	internal length of roofing	1066 cm
4) Center height is the height of the central segment of the enclosure (+ / - 3 cm) (Fig. 5-6)	central height of roofing	164 cm
5) The number of segments is given according to the desired length of the roof. (Figure 3)	segments quantity	5 ks

Type of Roofing	TREND 5	0,00 €
------------------------	----------------	---------------

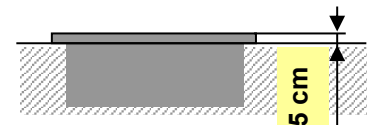
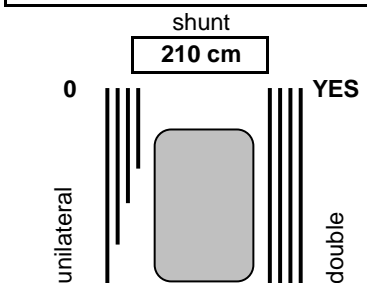
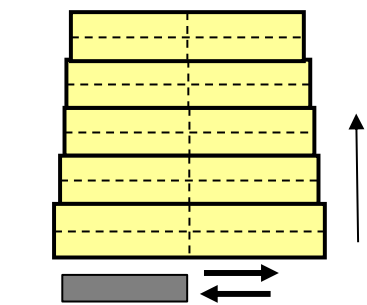


Fig. 3
side doors sliding 0
side doors shunting 0
segments quantity 5 ks



height	standardly - its set by price list	in price	YES	0,00 €
tracks	unilateral for shift in one direction	in price		0,00 €
	panels to slide on both directions		YES	0,00 €
	extra track for at front and back (without full uncover on pallet)	0 cm		0,00 €
	total tracks length	1276 cm		0,00 €
0,0 m	walkable cover for unilateral track	0,0 m		0,00 €
127,6 m	walkable cover for double-sided tracks	106,6 m		0,00 €
pool pic.2	pool edge or height of landrace bar of pool paving - L	5 cm		0,00 €
low brow	above ground L + 5cm, removable from polycarbonate	in price	10 cm	0,00 €
	sliding doors- surcharge	with threshold		0,00 €
	sliding doors- surcharge	without thresho		0,00 €
(picture 5)	other upgrades of brow- surcharge./pcs			0,00 €
big brow	for above ground L + 5cm, removable from polycarbonate	in price	10 cm	0,00 €
	sliding doors- standard	with threshold		0,00 €
	sliding doors- standard	without threshold	YES	0,00 €
(picture 6)	other upgrades of brow- /pcs			0,00 €
side	side sliding door (opening upwards)			0,00 €
(picture 3)	shunting side door (opening to the side)			0,00 €
surface	silver elox - surface	in price	YES	0,00 €
	Anthracite/Bronz powder coating	14%		0,00 €
filler	transparent polycarbonate thick. 10mm with UV stabil.	in price	YES	0,00 €
	Smoked polycarbonate thickness 10mm with UV stabil.	5%		0,00 €
	SAN clear boards - thickness 4mm with UV stabil.	28€ / m ²		0,00 €
locks	Locks for segments			0,00 €
reinforce	reinforcing bars for 4mm SAN boards			0,00 €
editing	AFNOR norm		NO	0,00 €
	Total tracks behind pool	210 cm		0,00 €
other				0,00 €
Packing	Packing, palette + rails for full uncover	210 cm	YES	0,00 €

Price	0,00 €
	0,00 €
Total price	0,00 €
	0,00 €
	0,00 €
Total	0,00 €

Price calculation is valid until **15.03.2018**

Roofing dimensions

TYPE: **TREND 5**

Fig. 4

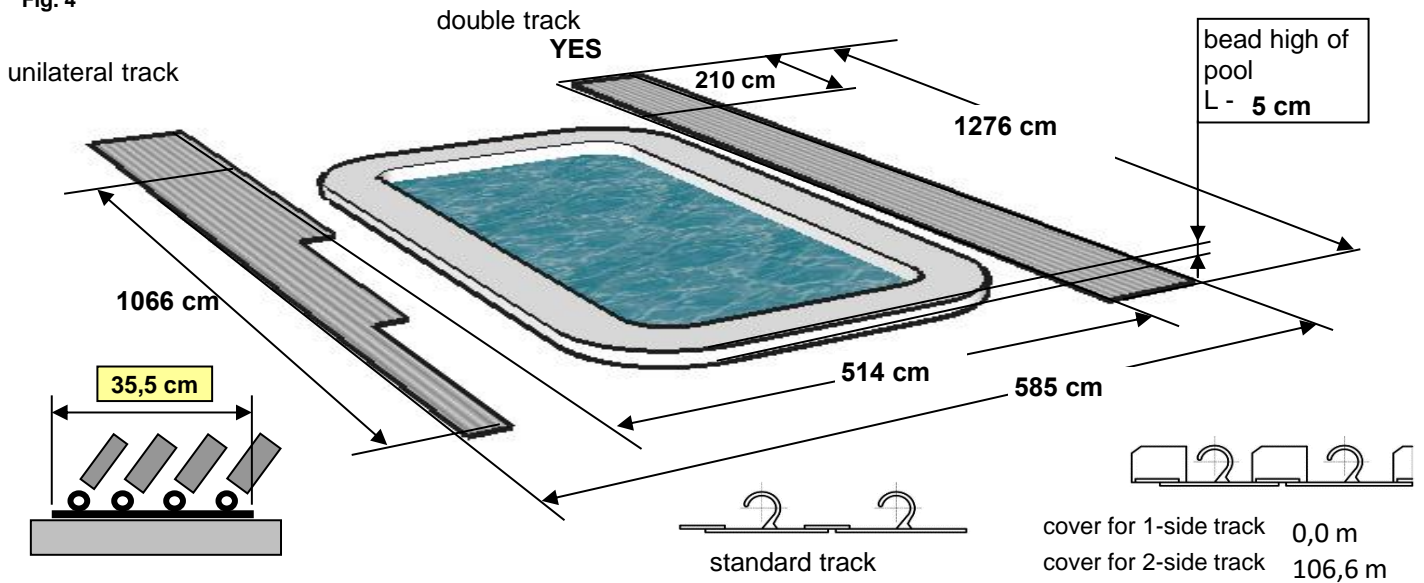


Fig. 5 **LOW BROW-TYPE AND DOOR LOCATION**

with threshold	without threshold	other
0	0	0

Highest segment - upper point (external) of enclosure 178
 Central height - middle height of enclosure **164 cm**
 Lowest segment - lowest point (internal) of enclosure 154

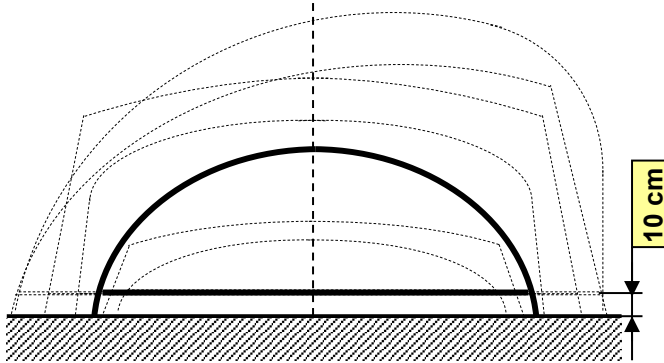
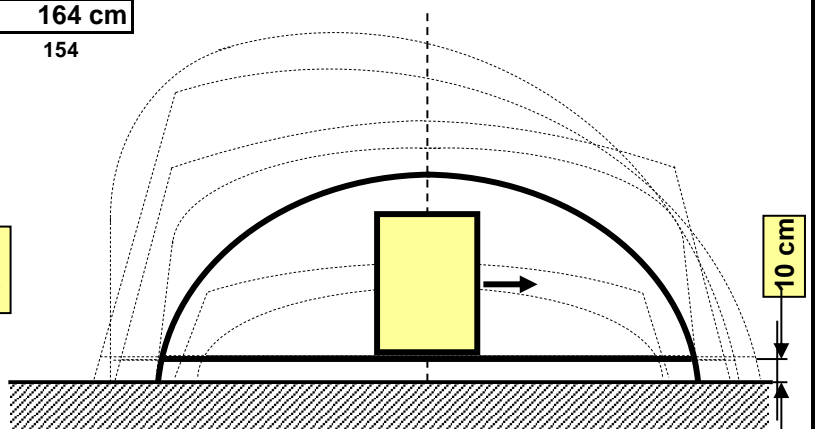


Fig. 6 **BIG BROW-TYPE AND DOOR LOCATION**

with threshold	without threshold	other
0	YES	0

high is valid in case of gaps between profiles 20mm!

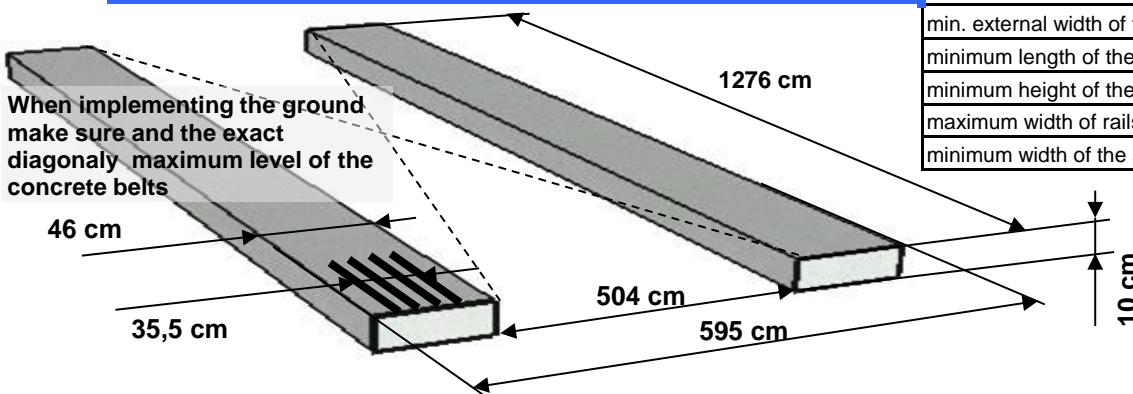


DOOR - NO	
width -	height - MAX.
note:	

← DOOR →

DOOR - without threshold	
width - 80 cm	height - MAX.
note:	

Preparation of materials for tracks-concrete belts



min. internal width of the sub-base	504 cm
min. external width of the sub-base	595 cm
minimum length of the sub-base	1276 cm
minimum height of the sub-base	10 cm
maximum width of rails	35,5 cm
minimum width of the sub-base	46 cm



group of

Mountfield

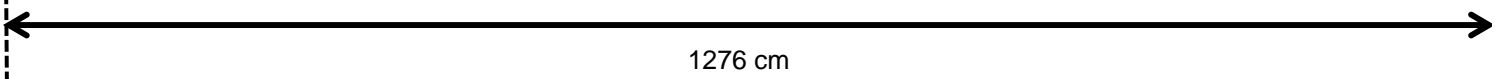
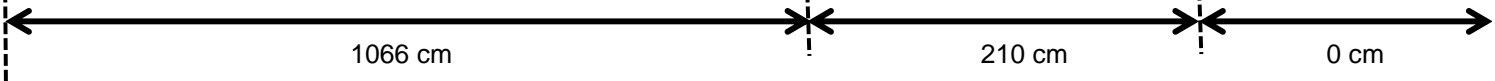
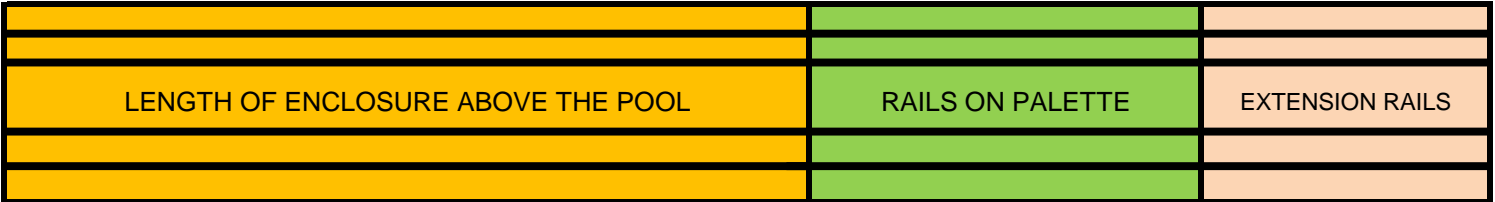
ISO 9001



date :
 Mountfield a.s.

.....
 sign

UNILATERAL	DOUBLE-SIDED
------------	--------------



CALCULATION FOR DOUBLE-SIDED RAILS	
10 pcs 6m	10 pcs 2,1 m
10 pcs 4,66 m	

CALCULATION FOR UNILATERAL RAILS	
-3 pcs 6m	10 pcs 2,1 m

CAP COVER FOR DOUBLE-SIDED RAILS	
20 pcs 6m	
10 pcs 0,76 m	